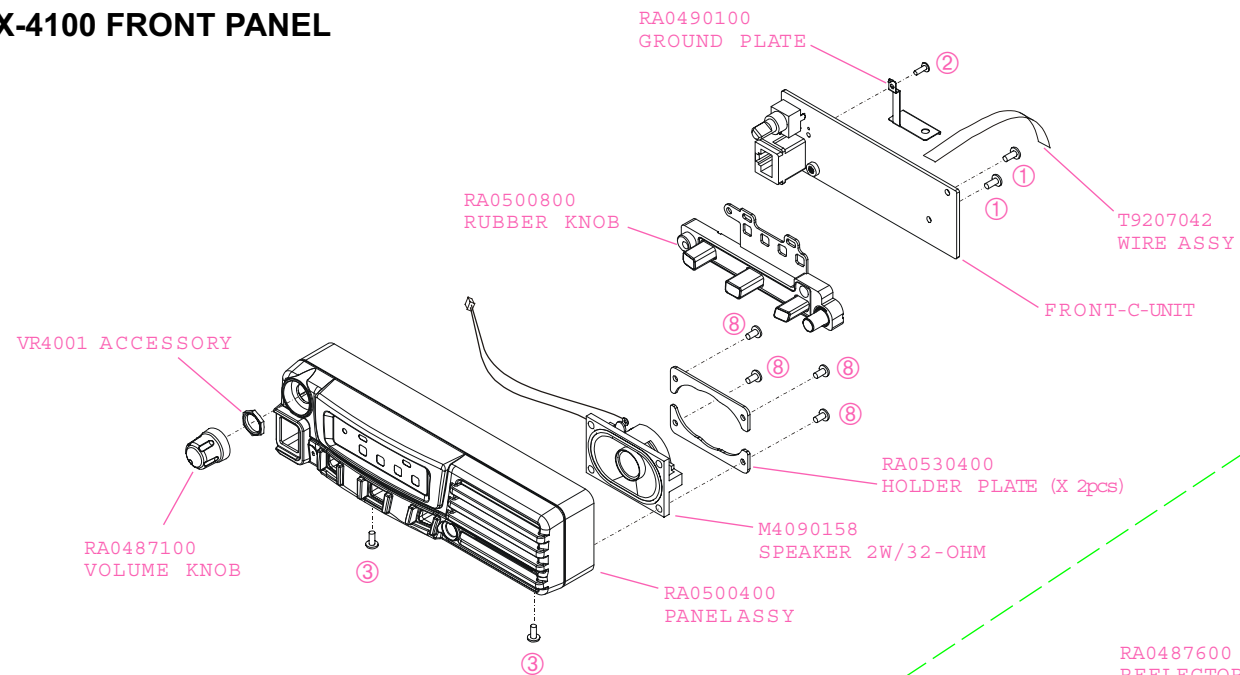
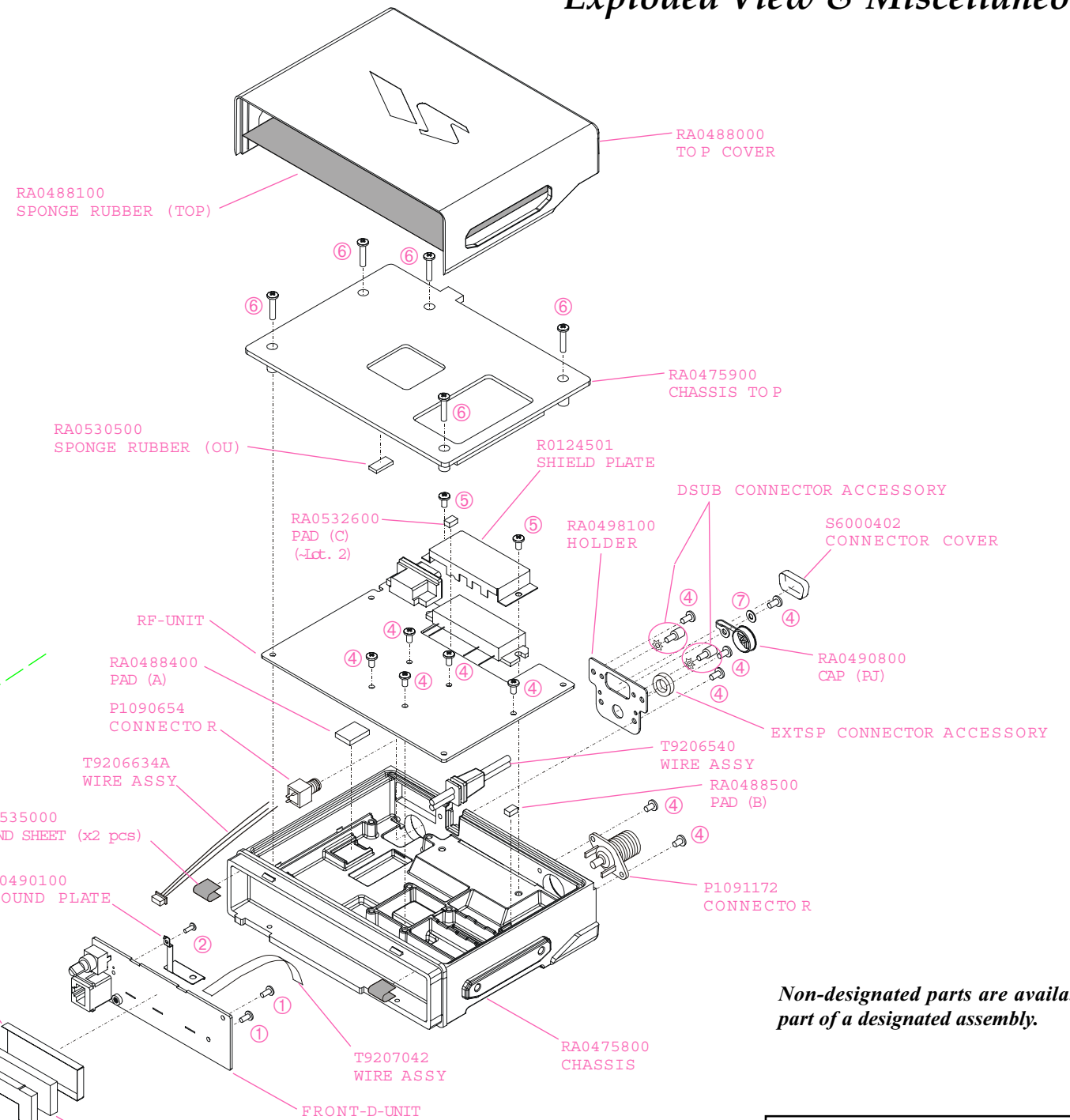
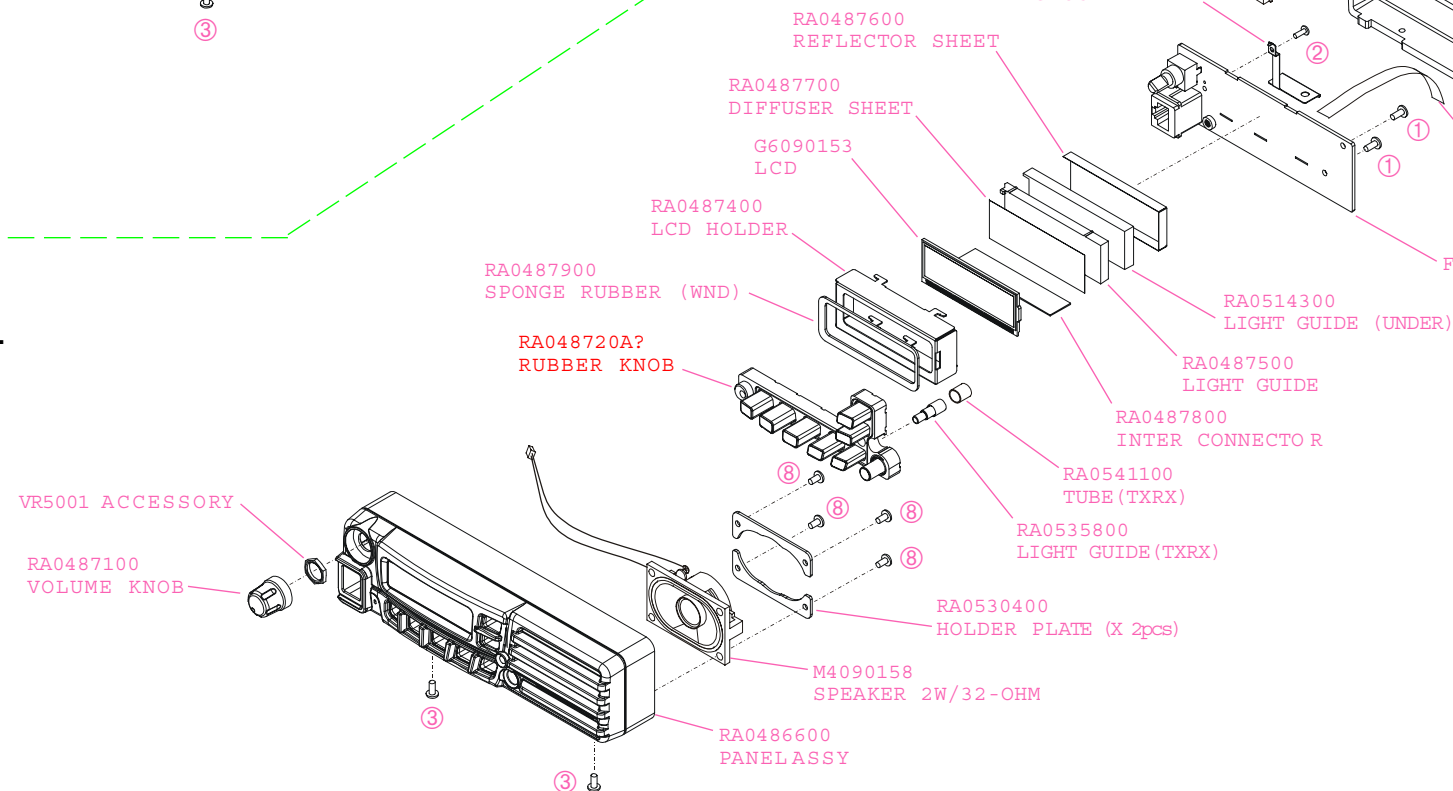


# Exploded View & Miscellaneous Parts

## VX-4100 FRONT PANEL



## VX-4200 FRONT PANEL



*Non-designated parts are available only as part of a designated assembly.*

SUPPLIED ACCESSORIES		
VXSTD P/N	DESCRIPTION	QTY.
Q0000075	BLADE FUSE ATC 15A	2
A06260004	MICROPHONE MH-25A8J (VIX) W/ NEW CLIP	1
T9021015	DC CABLE	1

No.	VXSTD P/N	DESCRIPTION	QTY.
①	U23206001	TAPTITE SCREW M2.6X6	2
②	U23106001	TAPTITE SCREW M2X6	1
③	U20205007	BINDING HEAD SCREW M2.6X5B	2
④	U24306002	TAPTITE SCREW M3X6NI	11
⑤	U02308002	SEMS SCREW SM3X8NI	2
⑥	U24316001	TAPTITE SCREW M3X16	5
⑦	U70003020	PLAIN WASHER FW3SUS	1
⑧	U24208001	TAPTITE SCREW M2.6X8	4