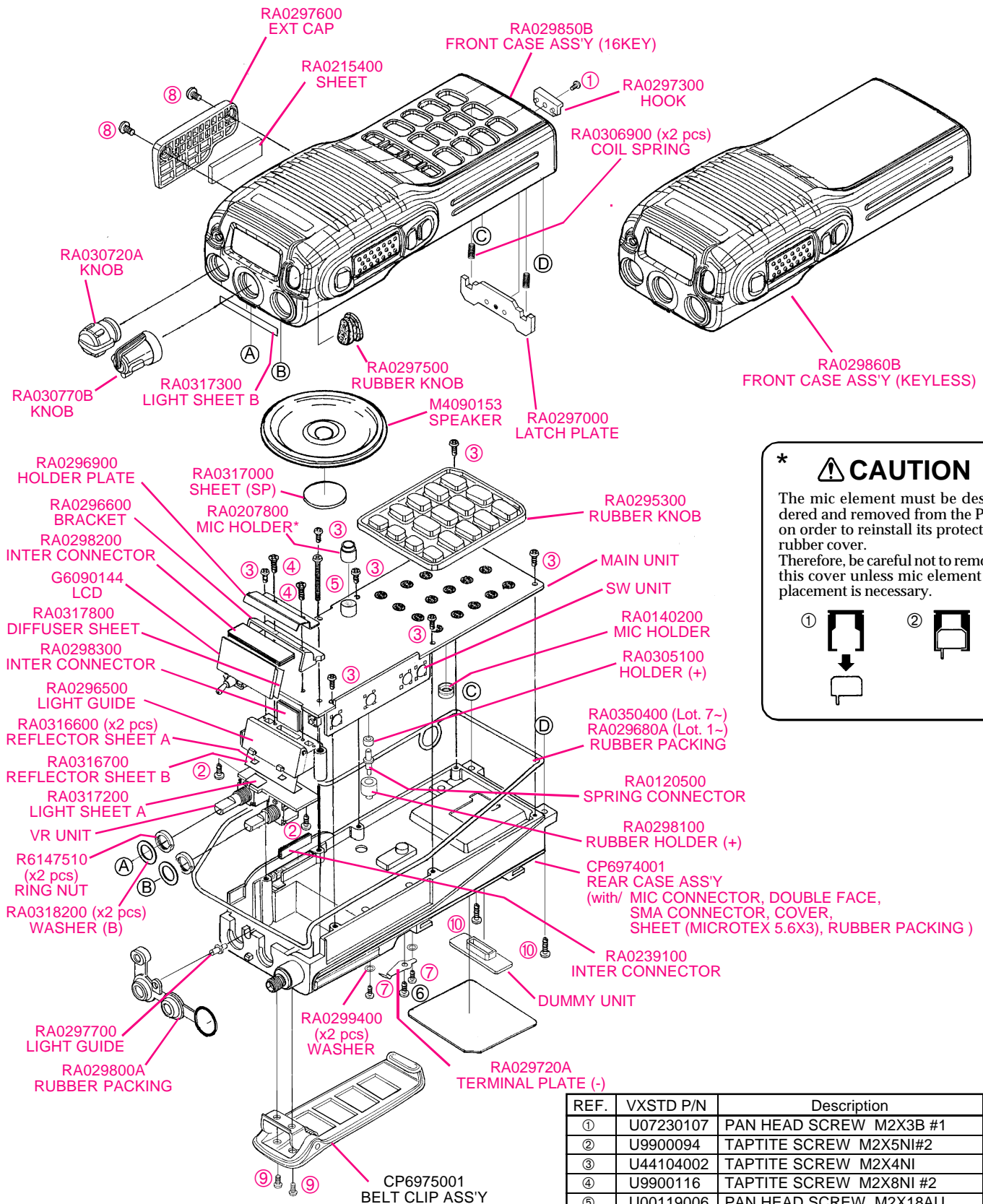


Exploded View & Miscellaneous Parts



*** CAUTION**

The mic element must be desoldered and removed from the PCB on order to reinstall its protective rubber cover. Therefore, be careful not to remove this cover unless mic element replacement is necessary.

Non-designated parts are available only as part of a designated assembly.

REF.	VXSTD P/N	Description	Qty.
①	U07230107	PAN HEAD SCREW M2X3B #1	1
②	U9900094	TAPTITE SCREW M2X5NI#2	2
③	U44104002	TAPTITE SCREW M2X4NI	7
④	U9900116	TAPTITE SCREW M2X8NI #2	2
⑤	U00119006	PAN HEAD SCREW M2X18AU	1
⑥	U9900117	TAPTITE SCREW M2X4NI #2	1
⑦	U07240202	PAN HEAD SCREW M2X4NI#2	2
⑧	U20305007	BINDING HEAD SCREW M3X5B	2
⑨	U02206007	SEMS SCREW SM2.6X6B	2
⑩	U24208002	BINDING HEAD SCREW M2.6X8NI	2