



# CNT-5000

## Motorcycle Mobile Control Head

The **CNT-5000** allows mounting of the Remote Head of the **VX-4000/5500/6000** mobile transceiver in a convenient location on a motorcycle, using the optional **RMK-5000B** to connect to the main transceiver body (mounted in an out-of-the-way location).

### Installation

1. Remove the Control Head from the bracket by removing the two hexagonal head bolts.
2. Choose a place to mount the Control Head.
3. Use the bracket as a template to mark the locations of the mounting holes.
4. Use a 5.2-mm (17/64") bit to drill the holes, and secure the bracket with (user-supplied) screws, spring washers, flat washers, and nuts (Figure 1), or drill pilot holes with a small drill, and secure the bracket with (user-supplied) self-tapping screws, spring washers, and flat washers (Figure 2).

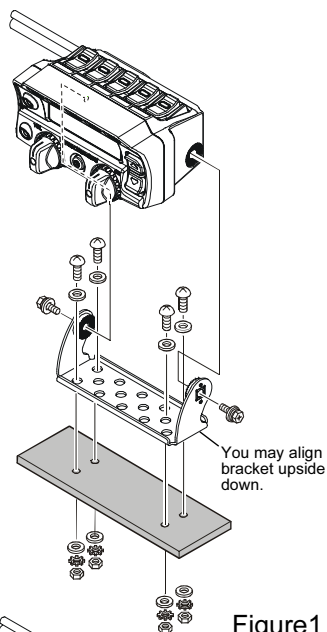


Figure1

#### VERTEX STANDARD CO., LTD.

4-8-8 Nakameguro, Meguro-Ku, Tokyo 153-8644, Japan

#### VERTEX STANDARD

##### US Headquarters

10900 Walker Street, Cypress, CA 90630, U.S.A.

##### YAESU EUROPE B.V.

P.O. Box 75525, 1118 ZN Schiphol, The Netherlands

##### YAESU UK LTD.

Unit 12, Sun Valley Business Park, Winnall Close  
Winchester, Hampshire, SO23 0LB, U.K.

##### VERTEX STANDARD HK LTD.

Unit 5, 20/F., Seaview Centre, 139-141 Hoi Bun Road,  
Kwun Tong, Kowloon, Hong Kong

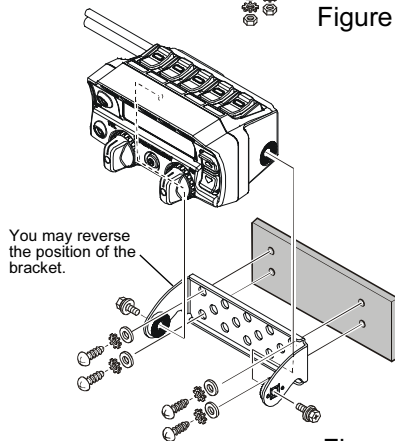


Figure2



E A D 3 7 X 1 0 0